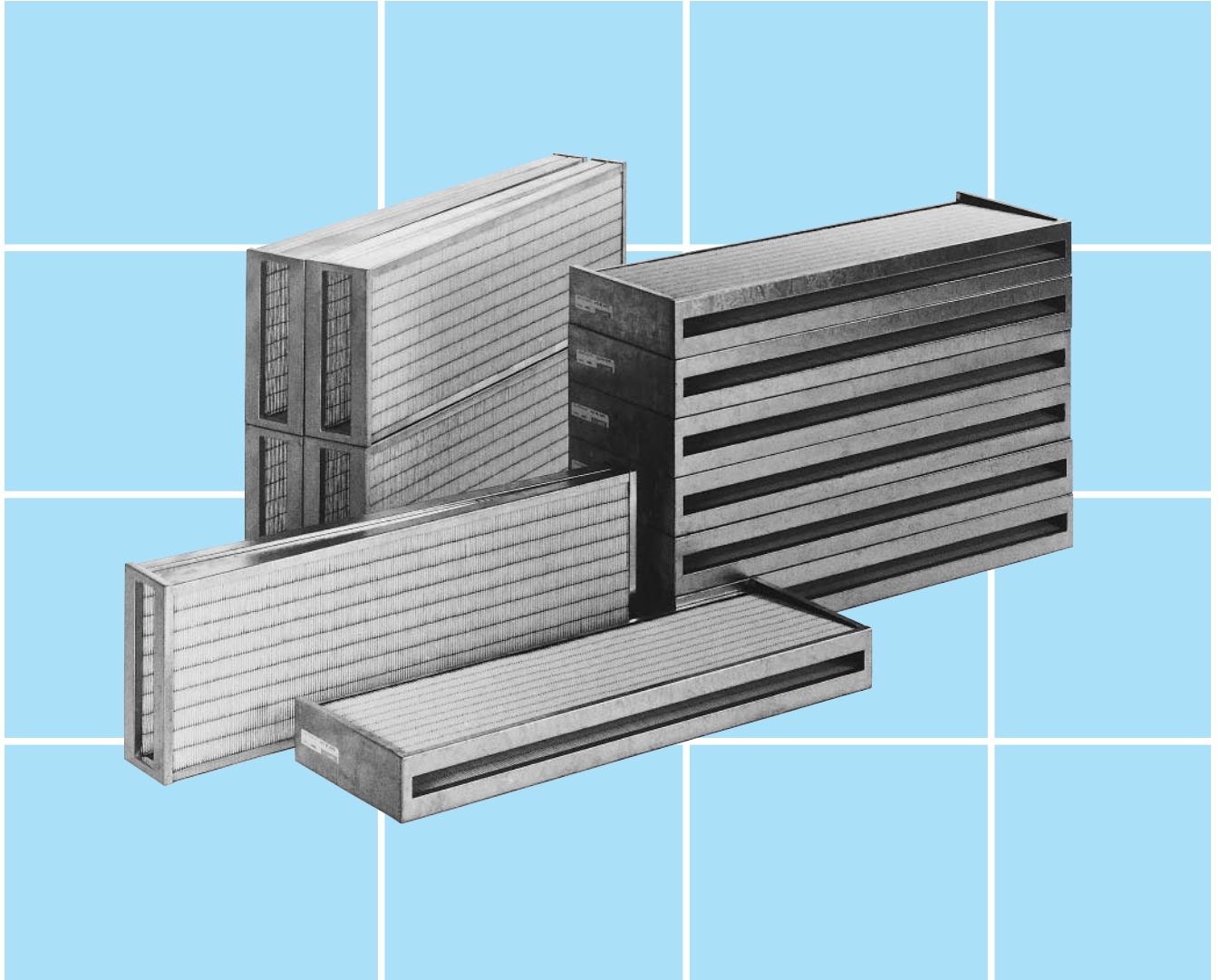


Luwa® PB-blue and V-blue Fine-Dust Filters



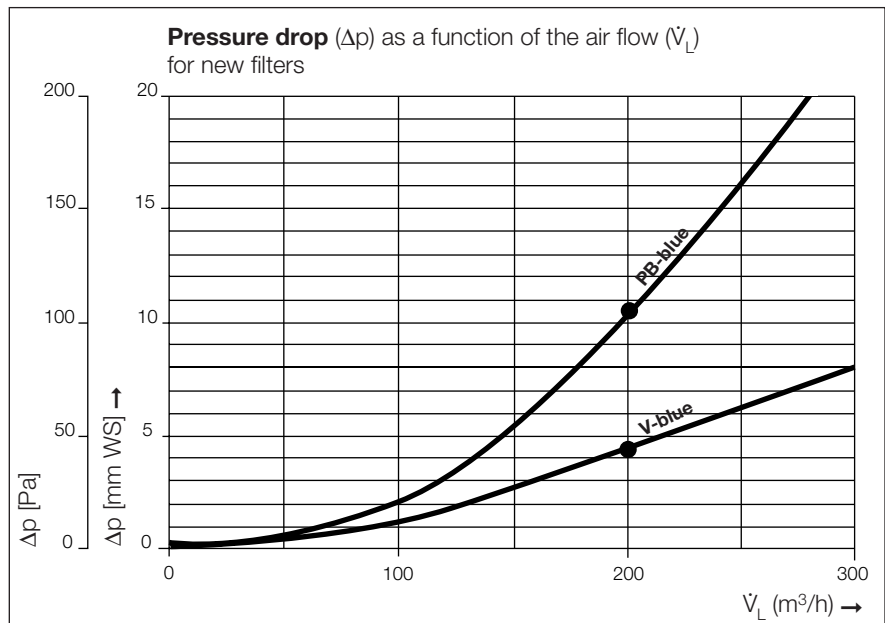
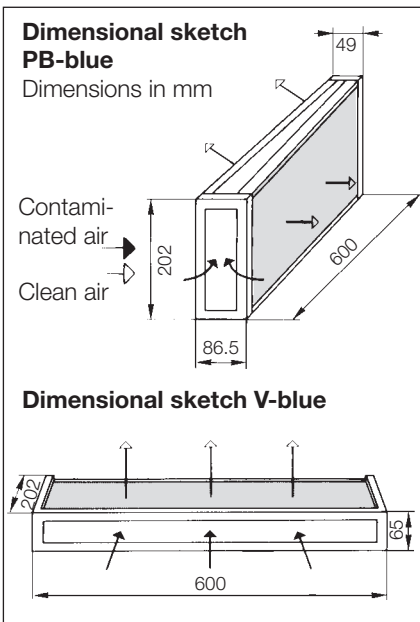
The top performance fine-dust filter cell

Efficiency >95 % to ASHRAE 52-76 and B. S. 6540

- Minimum pressure drop – maximum economy
- Fully utilized large filter surface (60 m² per module) – extremely long service life
- Paper filter medium – no fibre loss
- Inherently stable filter mat – dust penetration impossible
- Self-supporting, robust cellular structure – high final pressure and tear resistance
- Optimum utilization of given flow areas possible

Luwa

Filter type		PB-blue		V-blue	
		1	21 ¹⁾	1	9 ¹⁾
Number of filter cells		1	21 ¹⁾	1	9 ¹⁾
Rated air flow (\dot{V}_{LN})	m ³ /h	200	4250	200	1800
Initial pressure drop at \dot{V}_{LN}	Pa	110	110	45	45
Arrestance (gravimetric), average, EN 779 ²⁾	%	>99	>99	>99	>99
Efficiency (atmospheric), average, EN 779 ²⁾	%	>95	>95	>95	>95
Nominal final pressure drop (Δp_{NE})	Pa	600	600	600	600
Dust-holding capacity at \dot{V}_{LN} to Δp_{NE} , to ASHRAE 52-76 ²⁾	g	185	3900	185	1670
Filter class to EN 779 (EUROVENT 4/5)	–	F9 (EU9)	F9 (EU9)	F9 (EU9)	F9 (EU9)
Filter media area	m ²	2.8	60	2.8	25
Bursting pressure (new filter)	Pa	>3000	>3000	>3000	>3000
Admissible relative humidity	%	85	85	85	85
Max. continuous temperature	°C	100	100	100	100
Weight	kg	1.15	24.2	1.15	10.4



Remarks

- Can be fitted in air cross-section dimension 610 x 610 mm
- Also according to ASHRAE 52.1 and EUROVENT 4/5. Official test report available on request.
- For duct housings and frame systems, see brochure No. 45.11.11. Our brochure No. 45.16.17 gives installation and operating instructions. For material specifications, see brochure No. 45.11.11.

Part numbers³⁾

Filter type	PB-blue	V-blue
Frame material: Galvanised, steel	473 100 070	474 100 070
Frame material: Stainless, steel	473 100 110	474 100 110
Frame material: Aluminium	473 100 150	474 100 150

Sealing the filter cell

With special adhesive tape 25 mm/55 m. One roll is sufficient for approx. 100 PB or approx. 50 V filters.

- Standard type (≤ 70 °C), part number 473 109 010
- HT type (> 70 °C), part number 473 109 012