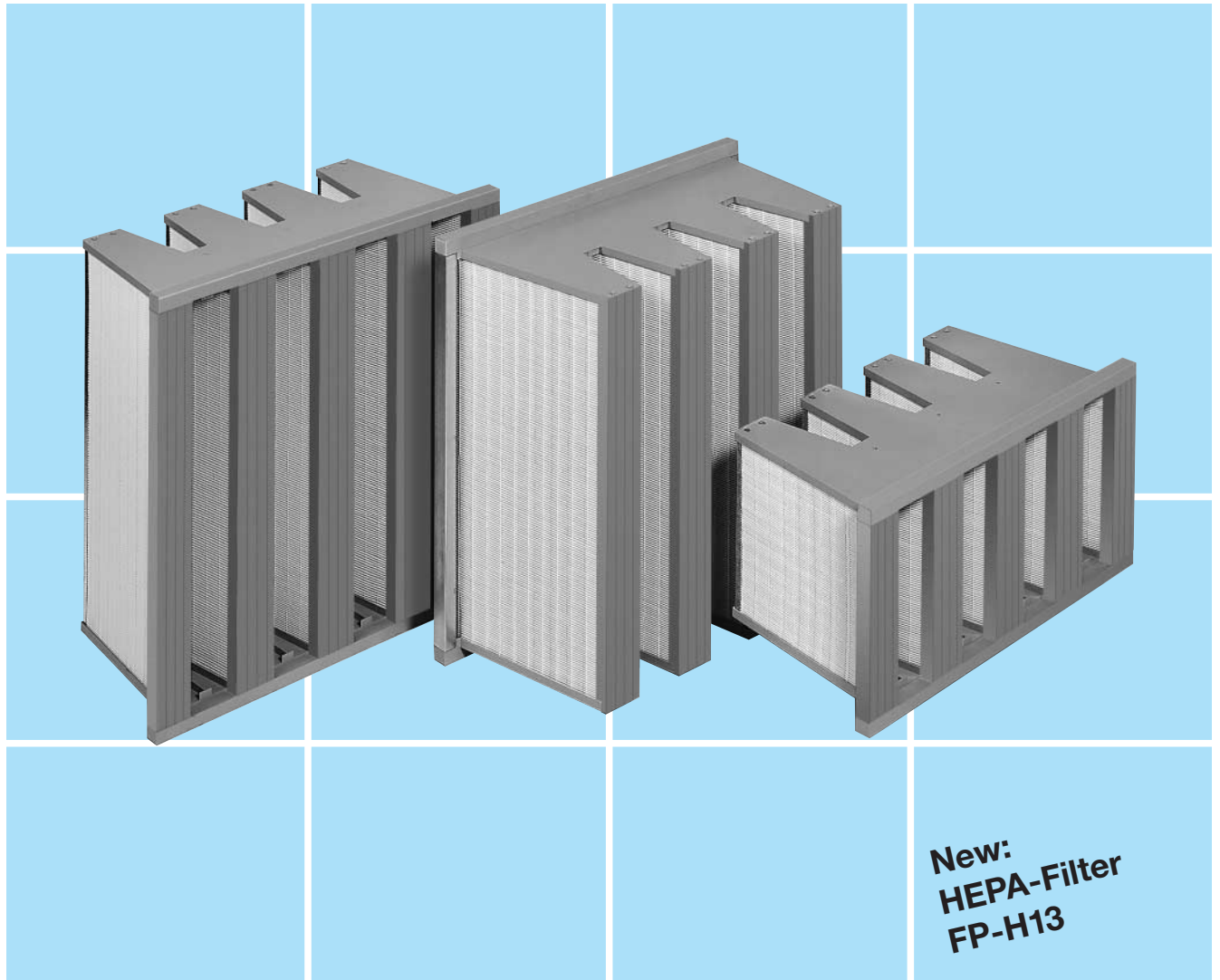


Luwa® Ultrafilter FP



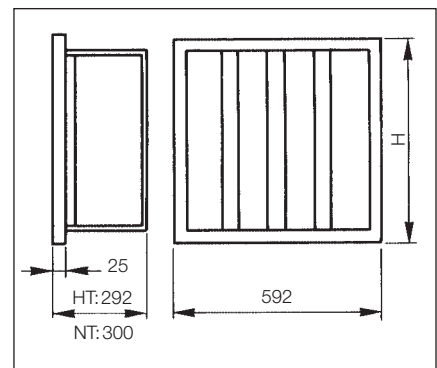
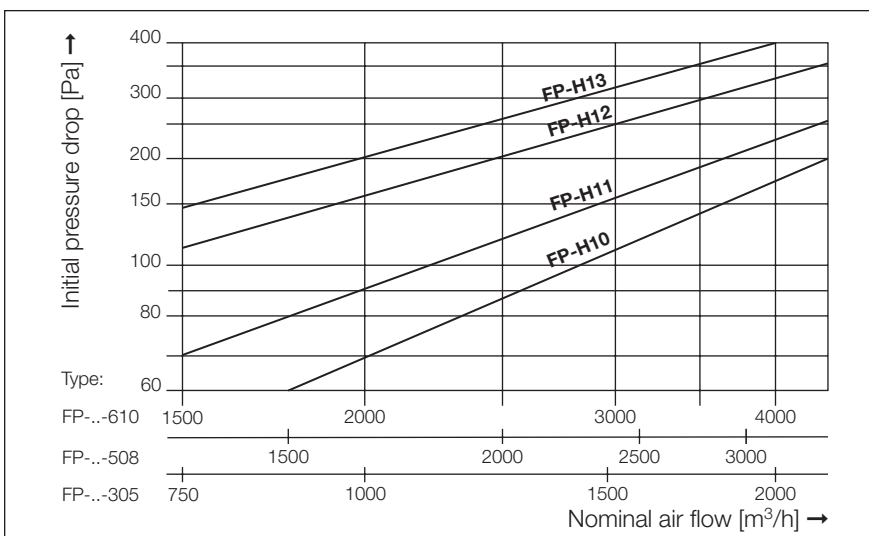
The superior solution

- Nominal air flow up to 4250 m³/h per cell
- Low pressure drop – maximum economy
- Large filter surface of 20 m² and 18 m² – extremely long service life
- Glass fibre paper – no fibre loss
- Self-supporting rigid structure – high bursting pressures, dust migration impossible
- Direction of air flow and installation can be chosen either way round
- Without pollutant emission fully incinerable – recyclable materials
- Frame manufactured from recycled plastic

Luwa

Technical Data

Luwa Ultrafilter ⁴⁾	FP-	H10-610	H11-610	H12-610	H13-610
Max. air flow \dot{V}_M (normal service life)	m ³ /h	4250	3400	3400	2500
Initial pressure drop at \dot{V}_M	Pa	190	180	295	260
Rated air flow \dot{V}_R (long service life)	m ³ /h	3400	3000	3000	2000
Initial pressure drop at \dot{V}_R	Pa	140	155	260	200
Filter class as per EN 1822 (and EN 779) for \dot{V}_R	–	H10 (F9)	H11	H12	H13
Average atmospheric efficiency at \dot{V}_R , EN 779 ³⁾	%	98	–	–	–
Min. initial efficiency at \dot{V}_R , EN 1822 (MPPS-DEHS test)	%	≥ 85	≥ 95	≥ 99.5	≥ 99.95
Typical initial efficiency at \dot{V}_R , EN 1822 (MPPS-DEHS test)	%	86	96	99.8	99.96
Typical initial efficiency at \dot{V}_R , EUROVENT 4/4 (NaCl test)	%	96	99	99.94	99.99



Types/Dimensions

FP-..	-305	-420	-508	-610
Dim. H	287	402	490	592
Weight kg	3.2	4.4	5.2	6.2

Luwa FP Ultrafilters remove air contamination such as fine dust, smoke, vapor, soot, pollen, bacteria, and are therefore ideal as final filters, or as prefilters for ULPA-filters in air conditioning installations.

Luwa FP Filters are especially suitable for all applications, with increased demands regarding **Service Life, Safety** and **Versatility**. They are available in 7 efficiencies¹⁾, 4 nominal sizes, 2 depths²⁾ and 2 models (NT/HT).

Application parameters

Continuous operating temperature:

- Model «NT»: < 75 °C
- Model «HT»: ≤ 120 °C

Pressure drop:

- recommended final pressure drop: 450 Pa
- max. final pressure drop (endurance strength): 800 Pa
- bursting pressure (new filter): > 1500 Pa

Admissible relative humidity:

- < 100 %

Materials

Filter medium:
Glass fibre paper, zigzag folded to form mats

- FP-F9: 18 m²
 - FP-H11/H12/H13: 20 m²
- Frame:
- «NT»: Incinerable halogene-free recycled Polystyrol

– «HT» (not available as H12 and H13):

Plastic and galvanized steel

Sealant: Polyurethane

Flammability classification of materials used:

- «NT»: K2/F2 according to DIN 53438
- «HT»: K1/F1 according to DIN 53438

Remarks

- Luwa Fine Dust Filter FP, refer to leaflet 42.11.01
- Luwa Fine Dust Filter FP-P, refer to leaflet 42.13.01
- EN 779 and ASHRAE 92.1. Test reports on request.
- Luwa Ultrafilters FP are not individually leak tested.